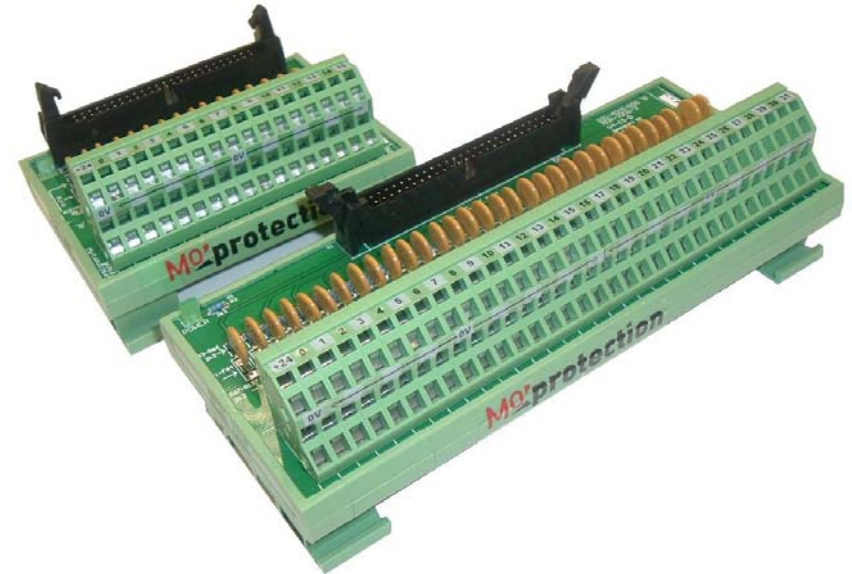


## Installation Instructions

Specifications	
Number of Outputs	16 or 32
Normal Voltage Range	10 to 32VDC
Maximum Voltage	60VDC
Fuse Type	Self Resetting PolyFuse
Fuse Current	Hold: 750mA per output Trip: 1.5A per output
One Hour Post Trip Resistance	0.6 Ohms
Module Current	2.5 Amps @ 24VDC
Initial Resistance @ 25 °C	Min: 0.25 Ohms, Max: 0.40 Ohms
Thermal Dissipation	10.37 BTU/hr @ 60 °C
Termination	Spring Clamp
Field Conductor Size	Solid - 0.2 to 2.5mm Flexible - 0.2 to 1.5mm AWG - 24 to 14
Mounting	DIN Rail EN50 022,35,45
Operating Temperature	0 to 60 °C
Storage Temperature	0 to 85 °C
Relative Humidity	5 to 95% non condensing
16-Way Dimensions (L x W x H) (mm)	102 x 78 x 53
32-Way Dimensions (L x W x H) (mm)	183 x 78 x 53
Power LED Indicator	Off = 24VDC supply not connected On = 24VDC supply connected
Output LED Indicators	Off = Output Off Green = Output On and fuse OK Red = Output On and fuse blown

Ordering Information	
TCS Part Number	Description
003-2021-000	MOP-16DO-0 (terminals labeled 0-15)
003-2021-002	MOP-16DO-1 (terminals labeled 1-16)
003-2022-000	MOP-32DO-0 (terminals labeled 0-31)
003-2022-002	MOP-32DO-1 (terminals labeled 1-32)

\* PLC to module wiring assembly available—please enquire

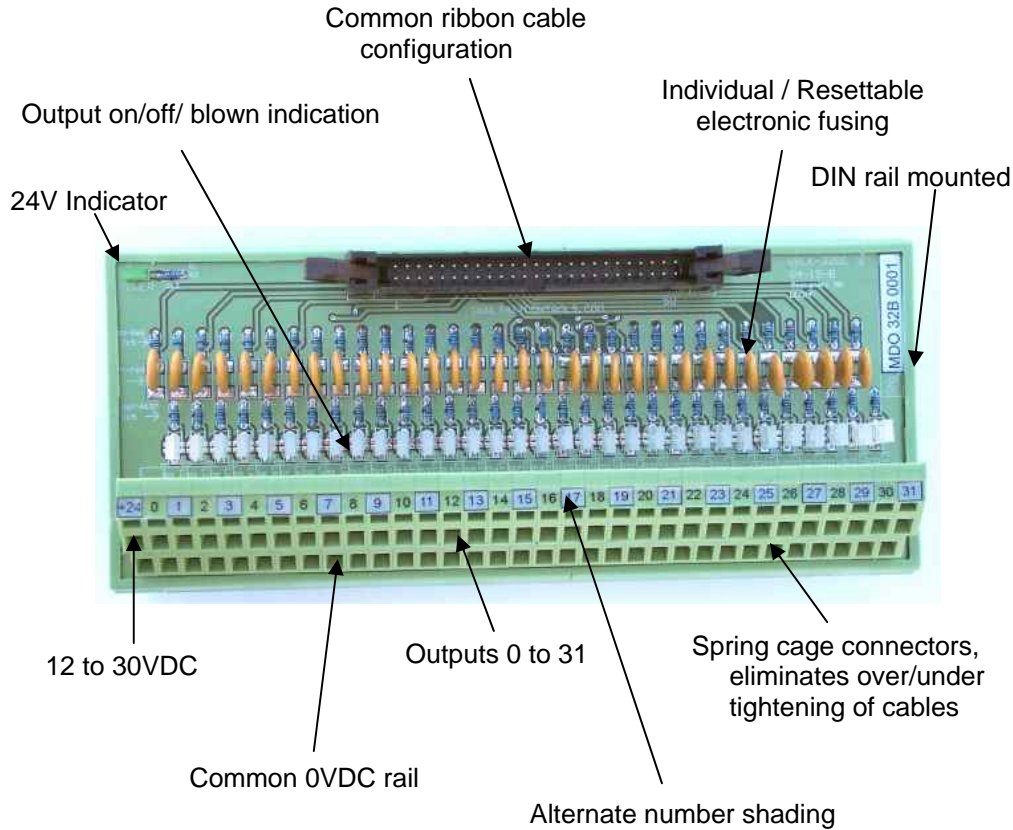


# MO'protection™

PLC I/O Wiring System  
Fused Digital Output Modules  
Document No. 722-4015-D00

technology | concepts | solutions

# Major Features



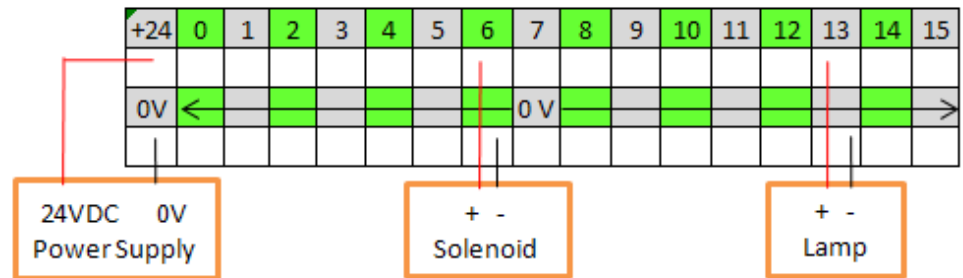
This product is designed to meet Council Directive 73/23/EEC low voltage, by applying the safety requirements EN 61131-2.

This equipment is classified as open equipment and must be installed (mounted) in an enclosure during operation as a means of providing safety protection.

# Wiring and Setup Instructions

Terminal Descriptions	
MOP Terminal	Description
+24	+24V DC input
0V	0V
0-15 <sup>NOTE 1</sup> 1-16 <sup>NOTE 2</sup> 0 - 31 <sup>NOTE 3</sup> 1 - 32 <sup>NOTE 4</sup>	Fused output terminals (number of terminals and starting number depends on module)

Note 1: MOP-16DO-0  
 Note 2: MOP-16DO-1  
 Note 3: MOP-32DO-0  
 Note 4: MOP-32DO-1



## Wiring the Terminal Block

- The use of wire ferrules is recommended
- Insert a flat bladed screwdriver into the upper hole of the terminal
- Insert the wire into the open terminal and remove the screwdriver